



For access control

The Access Pro series barriers from Magnetic are optimized solutions for access control at car parks, company grounds, residential buildings, port facilities and other secured areas with lane widths up to 20 ft. Compared to the Access Pro-L, The Access Pro-H includes a taller cabinet, with more room for accessories, and a straight MicroBoom arm. Combine the Access Pro-H with the optional barrier arm skirt (with or without climb-over prevention) to effectively stop intruders from crawling under and/or climbing over the barrier.

At the heart of the Access series is the innovative MHTM™ drive that is distinguished by its energy efficiency, lack of maintenance and long service life – the Access series is designed for 10 million opening and closing cycles. The Access Pro-L and Access Pro-H are characterized by a high level of functionality and offer expansion potentials with plug-in modules and exclusive accessories. Magnetic quality lies not just in the detail, but is also easily recognizable thanks to its stylish design. The Access series has already been awarded two design prizes.



Low operating costs

With arm lengths up to 20 ft the Access Pro series is perfectly suited for a wide variety of applications. Thanks to their high energy efficiency, extremely long service lives, and simple maintenance, barriers from Magnetic are particularly cost-effective – an investment that will certainly pay off!



Innovative drive technology

The MHTM™ drive unit is maintenance-free, energy-efficient and quiet. The high torque guarantees best possible operation even under extreme weather conditions.



Legal security

Magnetic vehicular lift barriers have always been UL 325 approved. UL 325 ensures that our product guards against entrapment, fire, and electrical shock.



Easy access to components

Two simple steps: control systems and the drive unit are easily reached by removing the top cover and front plate. This increases user-friendliness and accelerates commissioning and service.

Access

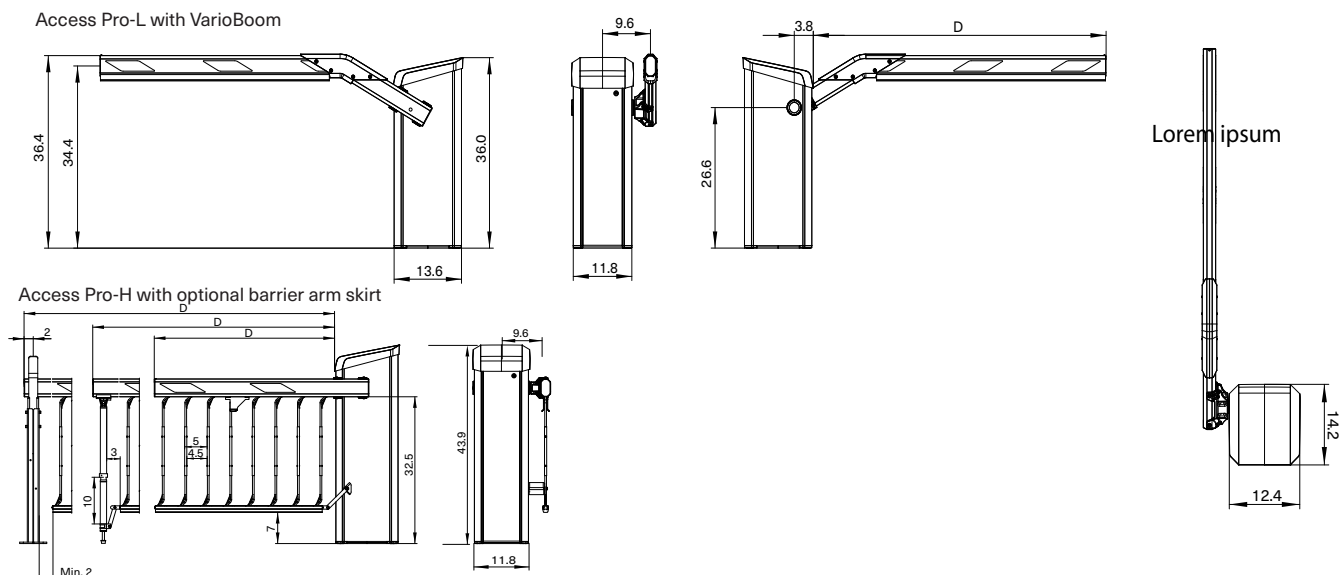
Access barrier

- > High level of functionality for numerous applications
- > High security with optional barrier arm skirts
- > Very low operating costs thanks to efficient and durable MHTM™ drive
- > Ease-of-use and optimum accessibility thanks to well thought-out design
- > Acclaimed design: German Design Award 2014 and Red Dot Design Award 2012
- > Designed for 10 million opening and closing cycles

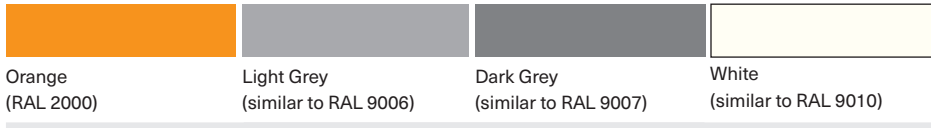


Technical data	Access Pro-L	Access Pro-H	Features	Access Pro-L	Access Pro-H
Barrier width	Max. 20 ft	Max. 20 ft	Standard colors	RAL 2000, 9006, 9007, 9010	RAL 2000, 9006, 9007, 9010
Opening/closing time	4.0 s	4.0 s	Barrier arm type	VarioBoom	MicroBoom
Power consumption	Max. 25 W	Max. 25 W	Control system	MGC Pro	MGC Pro
Drive technology	MHTM™	MHTM™	Integrated 2-channel detector for induction loops	Standard	Standard
Voltage	85–264 VAC, 50/60 Hz	85–264 VAC, 50/60 Hz	Modular expansion of control system	Freely expandable	Freely expandable
Duty cycle	100 %	100 %	Variable I/O assignment	Standard	Standard
Housing dimensions (LxWxH)	12.4 x 14.2 x 36.0 in	12.4 x 14.2 x 43.9 in	No. of digital inputs	8	8
Enclosure rating	IP 54	IP 54	No. of relays/digital outputs	6/4	6/4
Temperature range	-22 to +131 °F	-22 to +131 °F	Selectable closing speed	Standard	Standard
Weight without barrier arm	88.2 lb	97 lb	Selectable opening speed	Standard	Standard

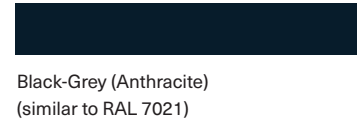
Dimensional drawings



Standard barrier colors



Standard door color



Options	Item no.	List Price	Access Pro-L	Access Pro-H
Special colors	SL08/SL01/SL04	\$224/391/433	✓	✓
Standard barrier arm skirt	See page 34 for details			✓
Barrier arm skirt with 51 in. climb-over prevention	See page 34 for details			✓
Barrier arm skirt with 70 in. climb-over prevention	See page 34 for details			✓
Barrier arm extension set	EVB10C/EVB12C/EVB15C	\$188/204	✓	
Barrier arm extension set sign kit	EVBS01	\$269	✓	
Upcharge for standard passage height articulated arm	KBS01-ST/KBS01-ADA	\$468/468	10 or 12 ft	10 or 12 ft
Upcharge for custom passage height articulated arm	KBS01/KBS02	\$628/704	up to 15 ft	up to 15 ft
Swingaway flange	integrated upon request	\$200 upcharge		✓
Pendulum support*	PS01	\$279	✓	✓
Support post*	AP01	\$322	✓	✓
Barrier arm presence sensor	BAK01	\$102	✓	✓
Barrier arm locking set	BV01C	\$950	✓	✓
Barrier arm lights (red) ¹	LED04C/LED08C/LED12C ³	\$260/510/718	✓	✓
Barrier arm LED strips, red/green ²	LEDS11C/LEDS12C	\$832/1139	✓	✓
Hood lights	DLED01/BL01/BLED01	\$377/419/440	✓	✓
Key-operated switch	SS01-KA/SS02-KA	\$214	✓	✓
Radio module	FM02-AM	\$297	✓	✓
Ethernet module	EM01	\$297	✓	✓
RS485 module	RSM01	\$297	✓	✓
CAN module (counting)	ECN01	\$364	✓	✓
Additional loop detector module	DM02	\$162	✓	✓
GSM module	GSM-SET01	\$423	✓	✓
Photoelectric light barrier	LS11/APLS01	\$783/220	✓	✓
Battery backup	BAT010C/BAT-AK010	\$911/110	✓	✓
Heater	HZ02C	\$575	✓	✓
Horizontal laser scanner	MLHH01	\$2925	✓	✓

For more information on these and additional accessories: see pages 29-36

* Barrier arms over 15 ft must be supported with a pendulum support or with a support post.

** Can only be used on back of barrier arm when used with climbover protection

*** Cannot be used with standard barrier arm skirt

¹ With climb-over prevention only possible on the back of the barrier arm

² Not in combination with standard barrier arm skirt

³ All 3 require additional parts for operation