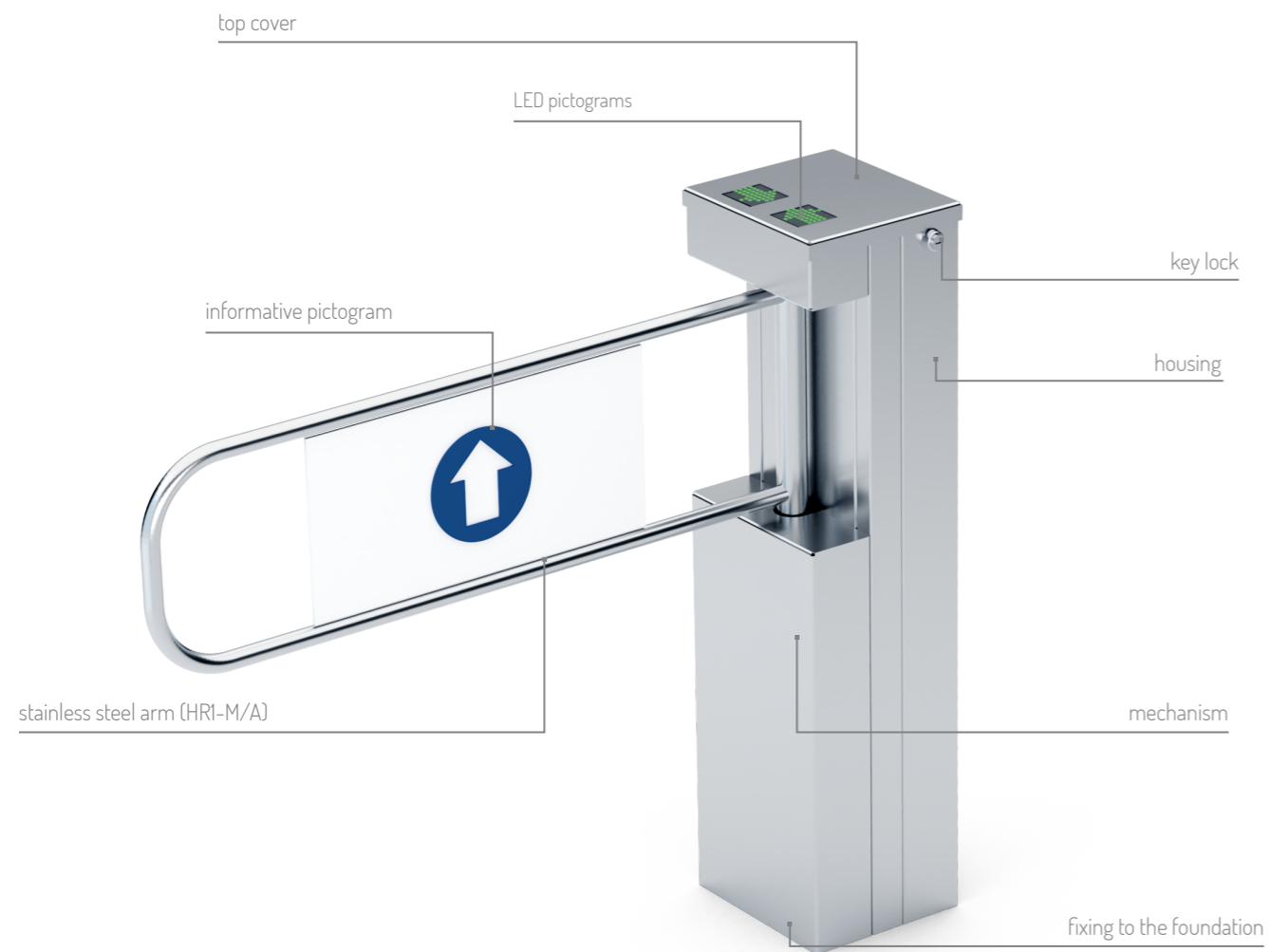
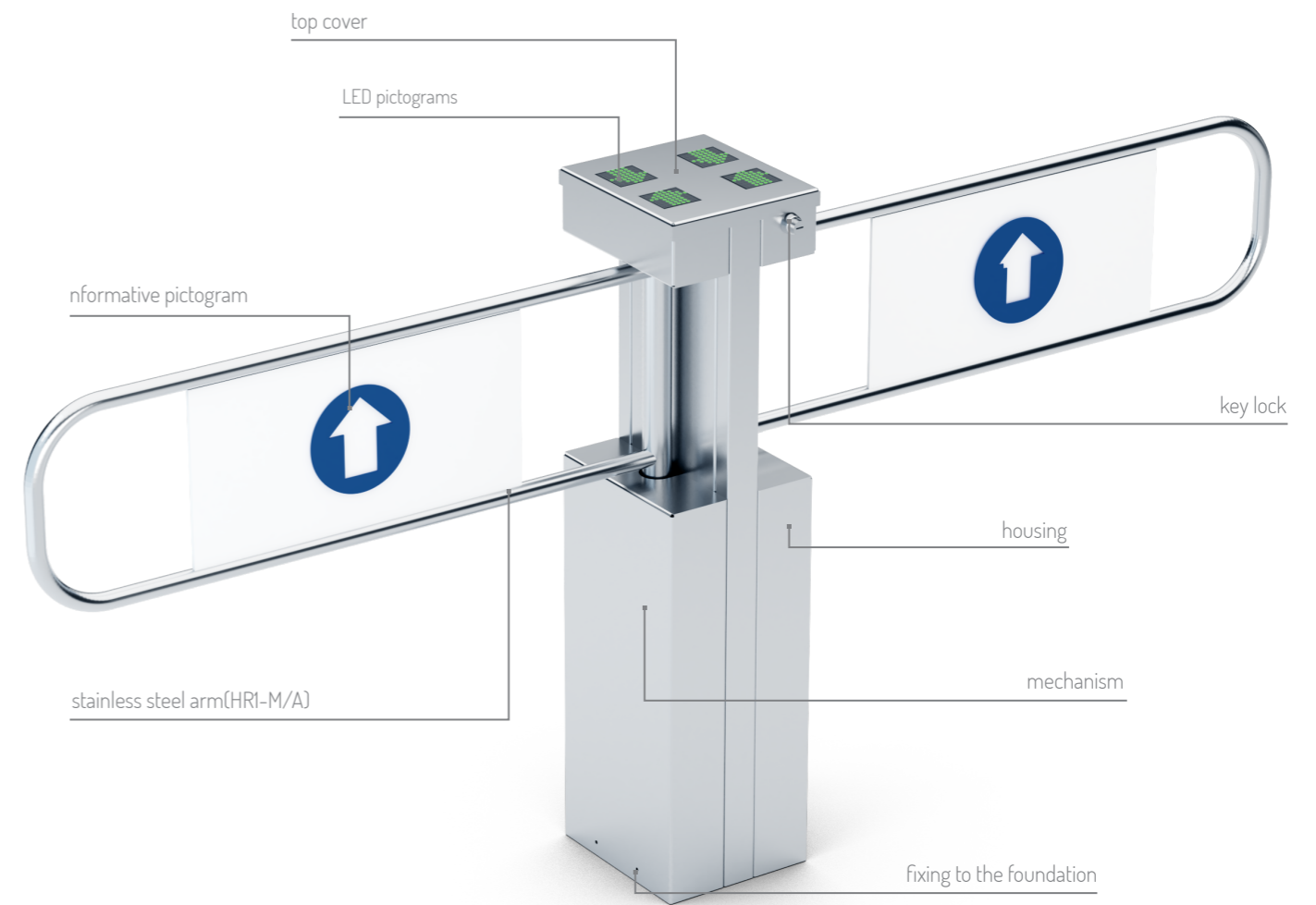


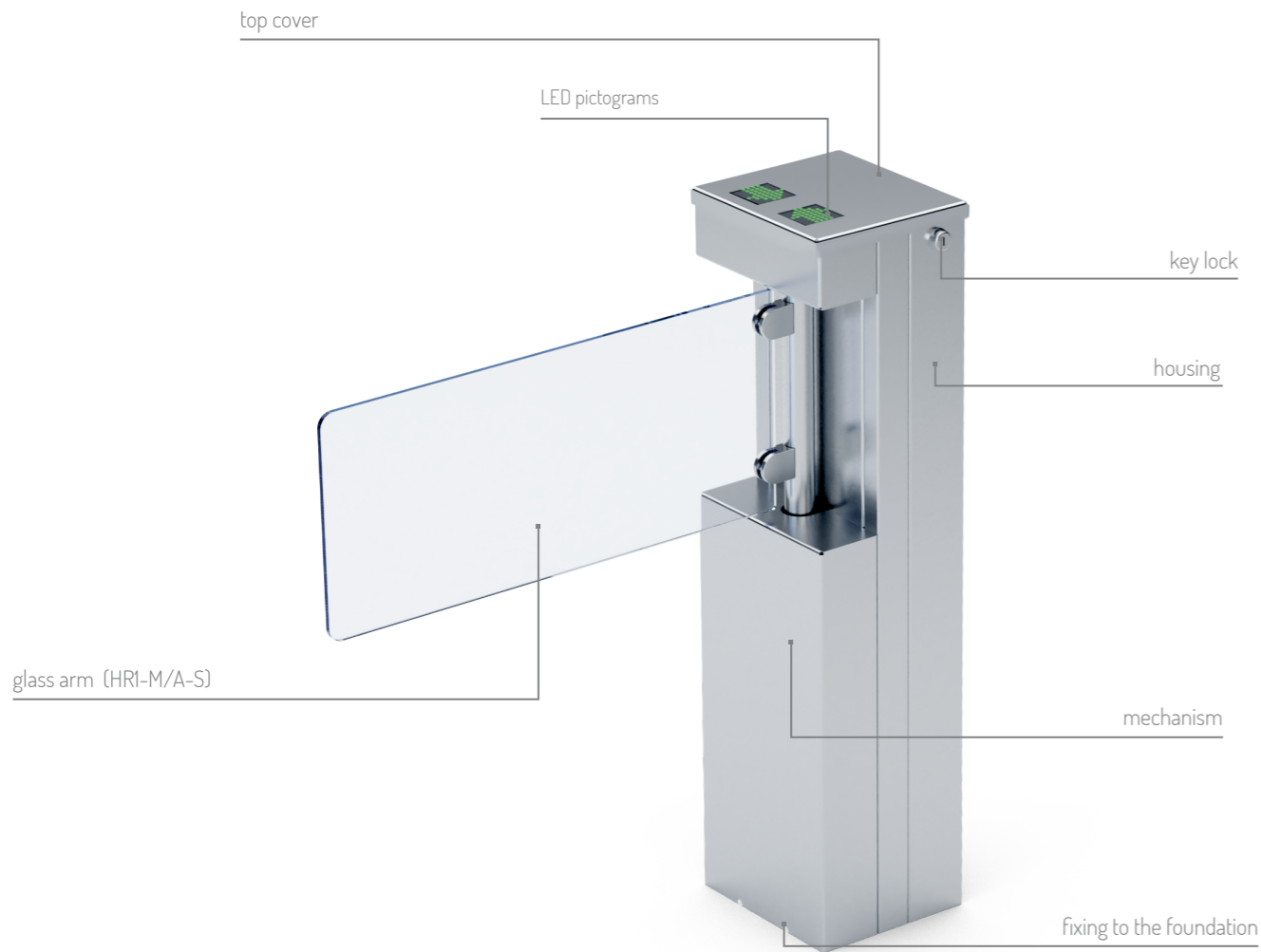
DEVICE'S DESCRIPTION HR1-M / HR1-A



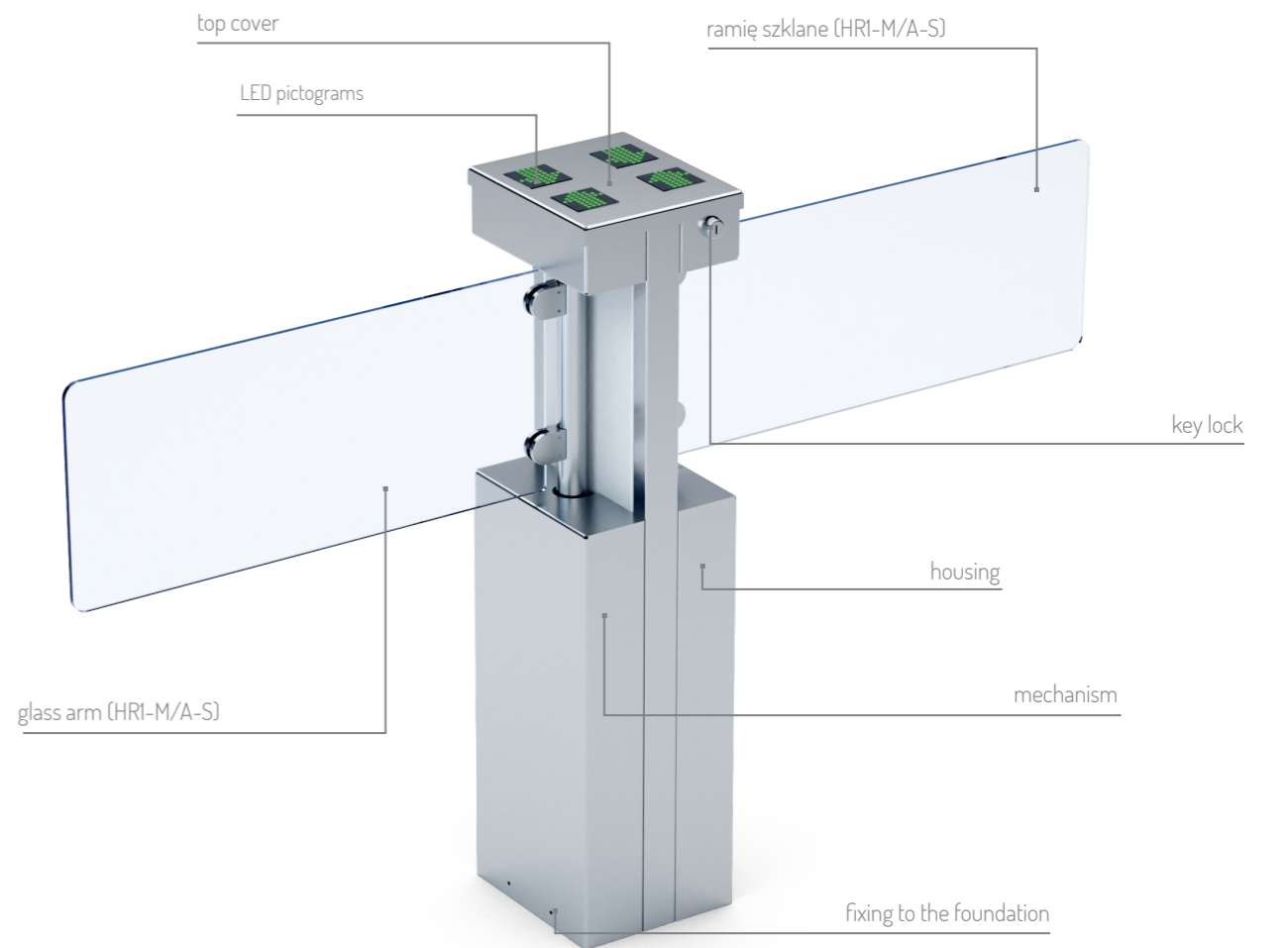
DEVICE'S DESCRIPTION HR1-M2 / HR1-A2



DEVICE'S DESCRIPTION HR1-M-S / HR1-A-S



DEVICE'S DESCRIPTION HR1-M2-S / HR1-A2-S

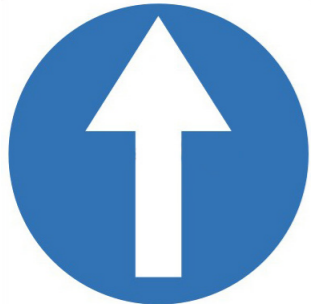


TYPE OF FINISHING

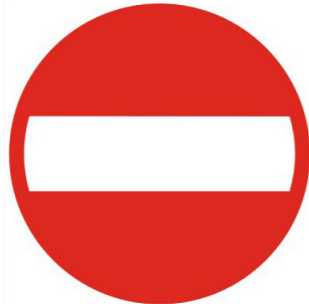


Stainless steel - INOX AISI 304

TYPE OF PICTOGRAMS

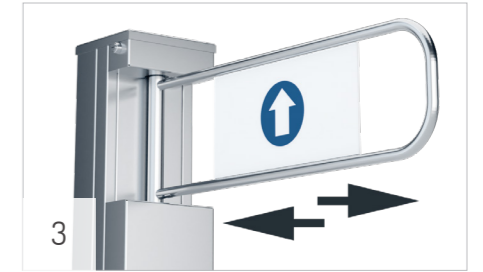
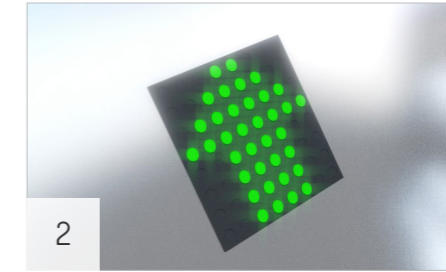
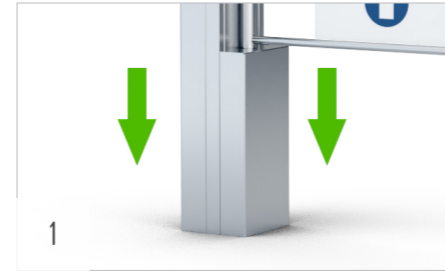


included with the device



included with the device

FUNCTIONS



1. EASY INSTALATION

The construction of the device enables mounting it to the foundation without dismantling any part of the device.

2. LED PICTOGRAMS

Visual signalling (diode pictograms) informs about traffic directions being turned on and turned off within the passage section. A red cross informs that the traffic direction is turned off/locked (the device disables a passage of a person); a green arrow informs that the traffic direction is turned on.

3. BIDIRECTIONAL MOVEMENT

The device enables work in various modes, eg: control of passenger traffic for both directions or control of passenger traffic for any chosen direction of movement.

4. VERIFYING THE ARM'S POSITION

Device is equipped with measurement system to verify the position of the arm.

5. ARMS BLOCKING SYSTEM

The device is equipped with arms blocking system having overload function. In case of applying extensive force to the arm this function releases the arms blocking system.

6. SUPPORTING ARMS ROTARY MOTION

The mechanism of the device is equipped, depending on the model, into an electromechanical (HRI-A) or mechanical (HRI-M) arm rotation.

TECHNICAL PARAMETERS

ELECTRONIC CIRCUIT

- Steering input for the first traffic direction (e.g. for connecting the reader and steering button).
- Steering input for the second traffic direction (e.g. for connecting the reader and steering button).
- Possibility to set the device operation modes.
- Sound signaling.

DEVICE'S VERSIONS

Indication's description	HR1	Model (M/A)	Type of arm (./S)
Example of indication	HR1	M	S

Description of the example indication:

- HR1-M-S - series HR1, model M (manual), version with glass - S

M - manual (no arm supporting motor)

A - automatic (arm supporting motor)

S - glass arm

NOTE: Standard finishing is stainless steel AISI 304 (INOX).

DEVICE'S INDICATION BASED ON THE TYPE OF THE HOUSING FINISHING

Model	Type of housing finishing
HR1-M-S	INOX/RAL...

Examples of indication:

- HR1 - M-S - RAL5010 - swing gate HR1 - M - S powder coated steel finishing colour RAL5010.
- HR1 - M-S - INOX - swing gate HR1 - M - S drop arm function and stainless steel AISI 304 finishing

OPTIONAL EQUIPMENT *

Name	Description
Power supply	Power supply 230/24V or 110/24V
Control panel	Control panel designed for manual steering of the gate

*Optional equipment is not included with the device.

CONSTRUCTION:

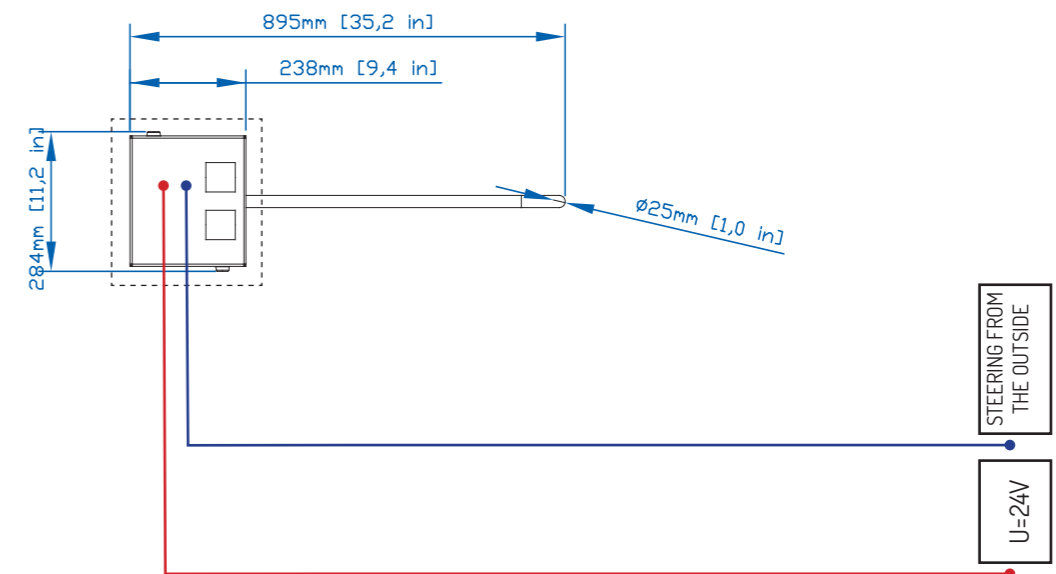
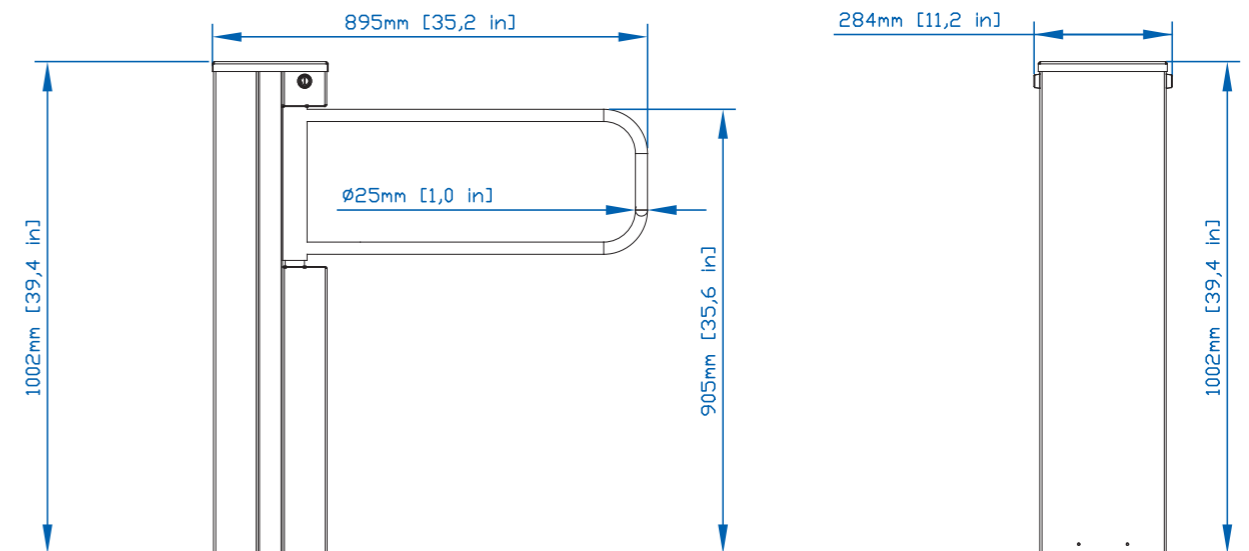
- Simplified assembly to the foundation with glued anchor bolts (bolts are not included)

PARAMETERS

Power Supply voltage*:	-24VAC
Maximum power consumption: *:	60 VA
Maximum current consumption*:	2.5 A
Steering signal:	(max. 0,5 sek)
Feedback signal:	NO/NC
Operation temperature:	-25° do +50° C [-13° to 122°F]
Storage temperature:	-30° do +60° C [-22° to 140°F]
Maximum humidity:	80 %
Operation environment:	inside buildings
IP protection rat.:	IP 33
Net weight [HR1-M] - [kg/lbs]:	-46/ -101

* - given data refers to a single gate mechanism, in the case of models with two arms (mechanisms), parameters for two mechanisms should be taken into account.

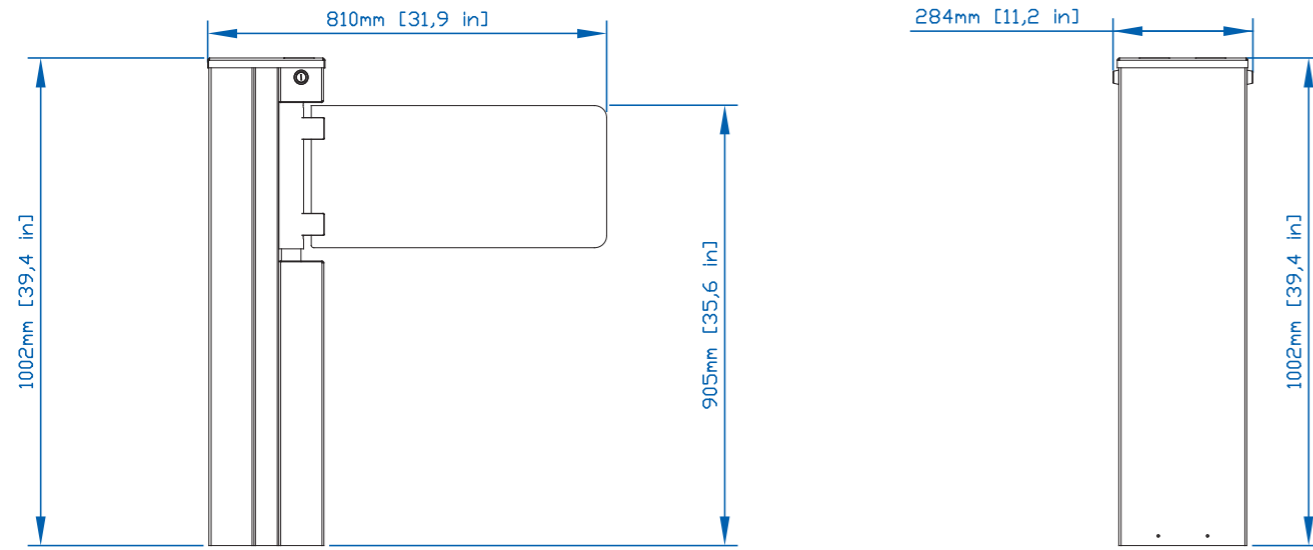
DIMENSIONS - HR1-M/A



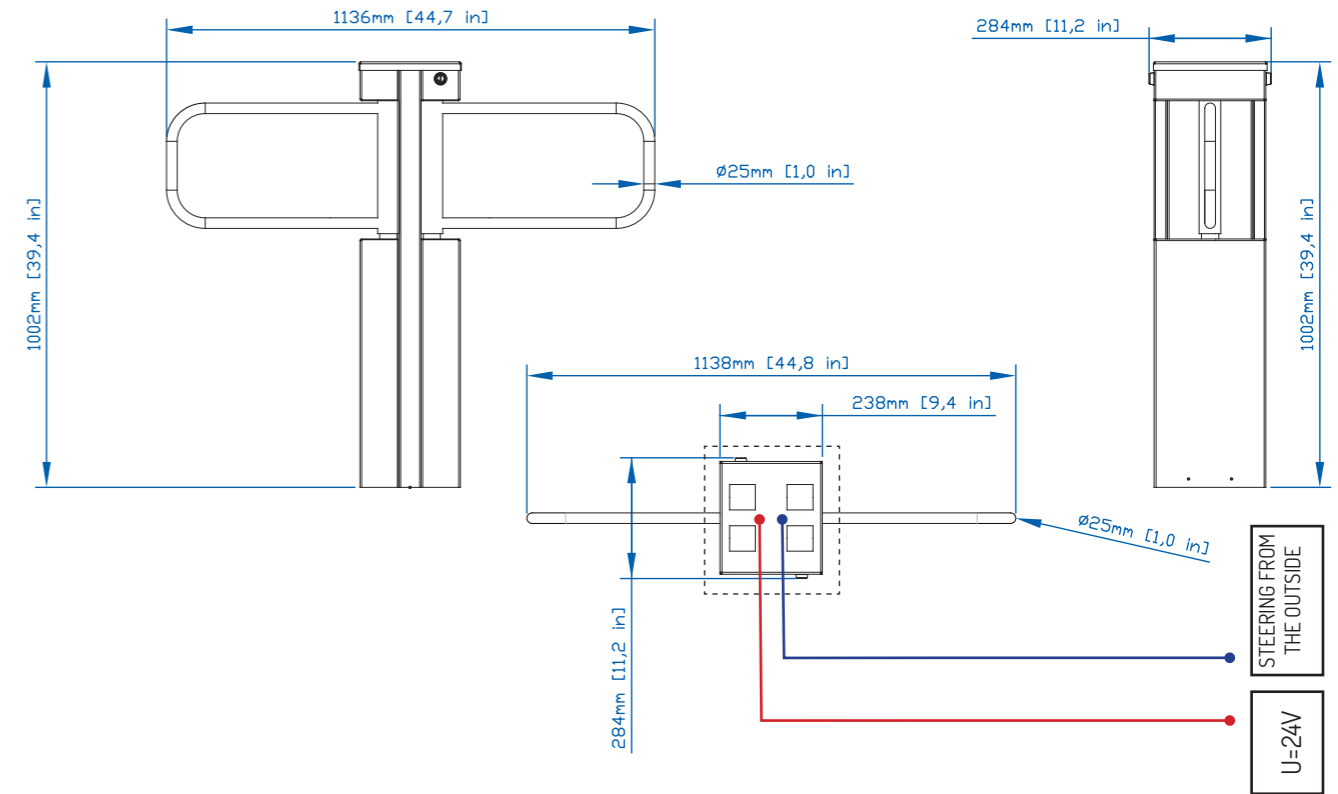
MAP KEY:

- Steering from the outside - twisted pair cable S/UTP
- Power supply 24V - Wire OMY 3x1,5mm
- Foundation

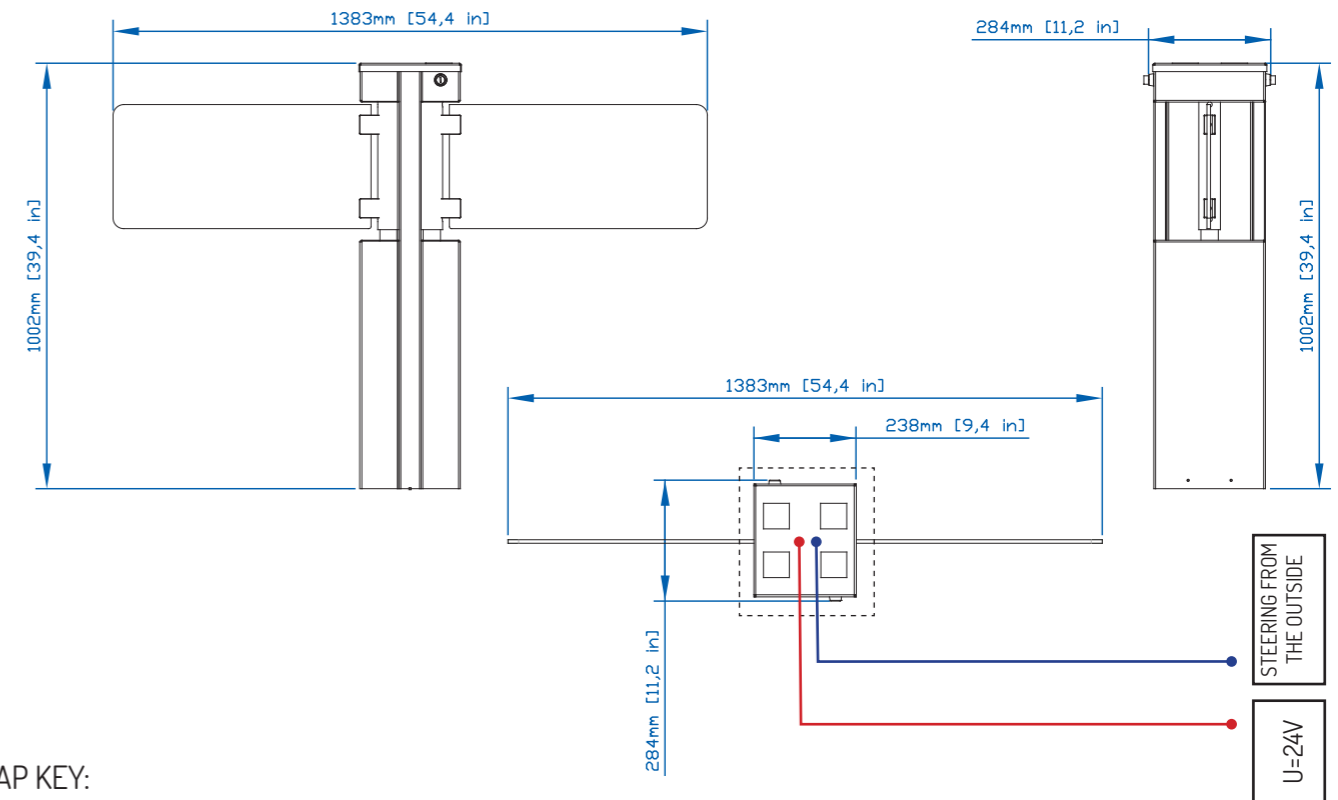
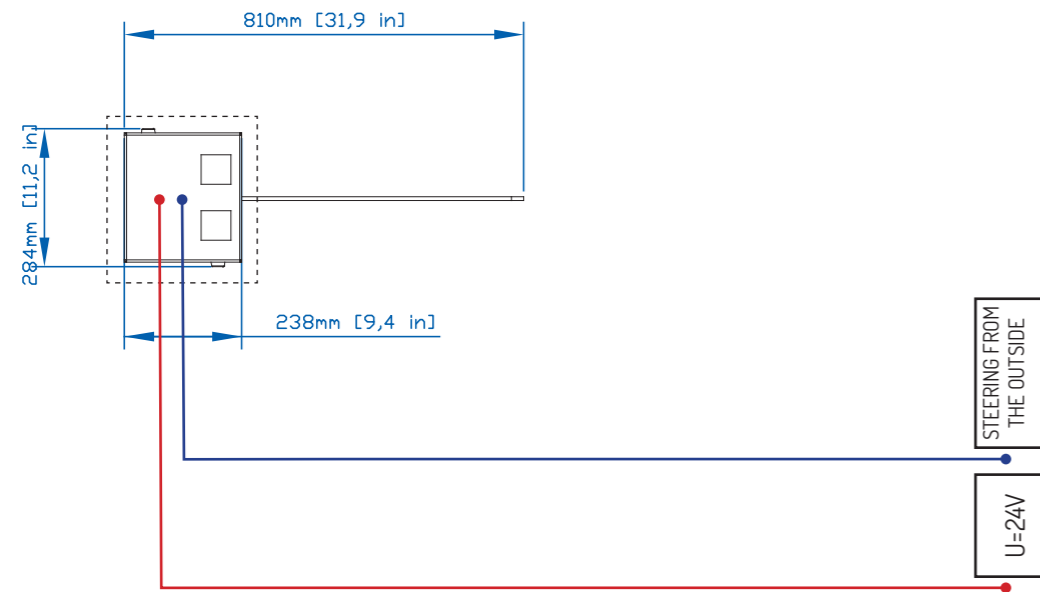
DIMENSIONS - HR1-M/A - S



DIMENSIONS - HR1-M2/A2



DIMENSIONS - HR1-M2/A2-S



MAP KEY:

- Steering from the outside - twisted pair cable S/UTP
- Power Supply 24V - wire 0MY 3x1,5mm
- Foundation

MAP KEY:

- Steering from the outside - twisted pair cable S/UTP
- Power supply 24V - Wire 0MY 3x1,5mm
- Foundation